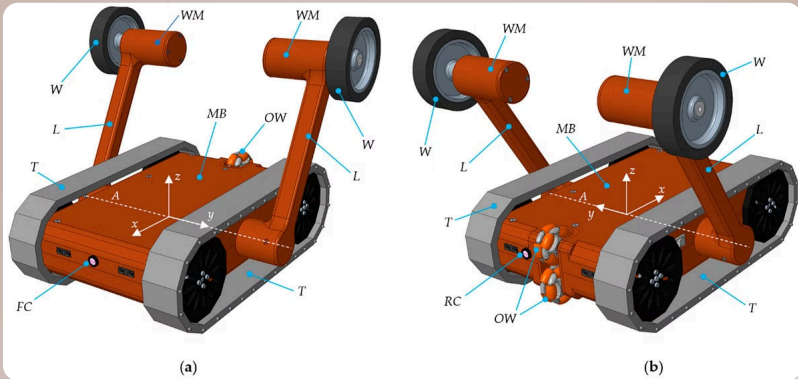


Introducing Our Innovative Robot Track For Industrial Robots

At our company, we are proud to offer a cutting-edge line of robot tracks designed to power your industrial automation needs. Our tracks combine advanced engineering with uncompromising durability, delivering unparalleled performance and reliability.



How Our Robot Tracks Work



1

Traction

Our tracks provide superior traction on a variety of surfaces, ensuring stable and precise movement for your industrial robots.

2

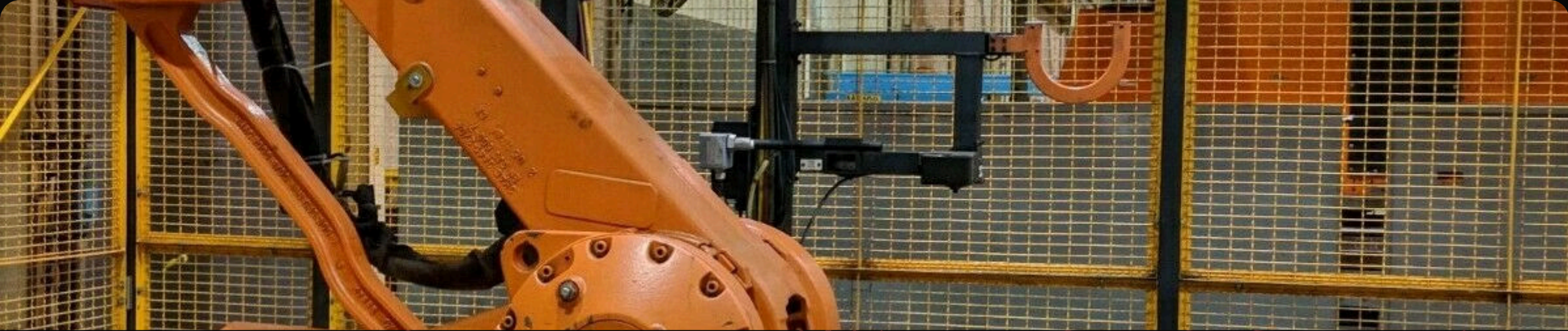
Flexibility

The flexible design of our tracks allows them to navigate tight spaces and overcome challenging terrain with ease.

3

Customization

Each track can be tailored to your specific requirements, ensuring a perfect fit for your robotic applications.



The Benefits of Using Our Robot Tracks

1 Increased Efficiency

Our tracks enable your industrial robots to move with speed and precision, boosting productivity and minimizing downtime.

2 Enhanced Versatility

The adaptable design of our tracks allows them to be used in a wide range of industrial settings, from warehouses to construction sites.

3 Improved Safety

Our tracks are engineered with safety in mind, providing stable and secure movements to protect your workers and equipment.

4 Cost-Effectiveness

The long-lasting durability of our tracks translates to lower maintenance costs and a better return on your investment.

Industrial Applications of Our Robot Tracks

Logistics and Warehousing

Our tracks excel in material handling, order fulfillment, and inventory management applications, enabling your robots to navigate seamlessly through complex warehouse environments.

Manufacturing and Assembly

From automotive production lines to electronics assembly, our tracks provide the mobility and stability required for precise, automated manufacturing processes.

Construction and Mining

Designed to handle rugged terrain, our tracks are the ideal solution for robotic applications in construction, mining, and other outdoor industrial settings.

Customization Options for Our Robot Tracks



Track Material

Choose from a variety of durable materials, including rubber, polyurethane, and metal, to suit your specific application requirements.

Track Width

Customize the width of the tracks to match the size and weight of your industrial robots, ensuring optimal performance and stability.

Tread Design

Select from a range of tread patterns, including grooved, lug, and smooth, to enhance traction and maneuverability on different surfaces.

Accessories

Add optional features such as sensors, lights, or specialized attachments to further enhance the capabilities of your robotic systems.



Maintenance and Durability of Our Robot Tracks

1

Robust Construction

Our tracks are built to withstand the rigors of industrial use, featuring reinforced components and a rugged design for long-lasting performance.

2

Easy Maintenance

With minimal upkeep requirements and simple replacement procedures, our tracks help you reduce downtime and maintenance costs.

3

Extended Lifespan

Backed by a comprehensive warranty, our tracks are engineered to provide years of reliable service, ensuring a great return on your investment.

Customer Testimonials and Case Studies



Increased Productivity

Our robot tracks have helped to streamline our manufacturing processes, leading to a significant boost in productivity and efficiency.



Reliable Performance

We've been using these tracks for over two years, and they continue to deliver unparalleled durability and performance, even in our demanding industrial environment.



Cost Savings

The low maintenance requirements and long lifespan of these tracks have helped us reduce our operational costs and improve our bottom line.



Customer Satisfaction

We're thrilled with the level of service and support we've received from the team, and would highly recommend these robot tracks to anyone in the industry.



Contact Us for More Information

Phone: +91 84859 01337

Email: sales@gmrpl.com

Website: gmrpl.com

Our team of experts is ready to assist you in selecting the perfect robot tracks for your industrial automation needs. Contact us today to learn more about our customization options, pricing, and delivery timelines.